

SPARK PLUG RESISTOR CAP RANGE



VOLTAGE

LOWEST RESISTANCE



SPARK PLUG RESISTOR CAP RANGE

L B 05 E P K -R

External appearance

L	90° \emptyset Elbow type
S	Straight
X	102° \emptyset Elbow type
V	102° \emptyset Elbow type (long)
Y	102° \emptyset Elbow type (short)
T	T type

Resistance

None	No resistor
01	1K Ω
05	5K Ω
10	10K Ω

Accessory

A	Special design
H	Compact type
P	With special waterproof cover
K	With silicon waterproof cover
M	Rubber sheathed
G	With rubber grommet
W	Double connector springs
F	For 5mm \emptyset cable
L	Inductive resistor type
Y	With handle
Z	Special shape
C	Cable

Adaptable plug thread size

B	14mm \emptyset thread
C	10mm \emptyset thread CM-6 only
D	10 & 12mm \emptyset thread
Z	10, 12 & 14mm \emptyset thread

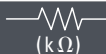

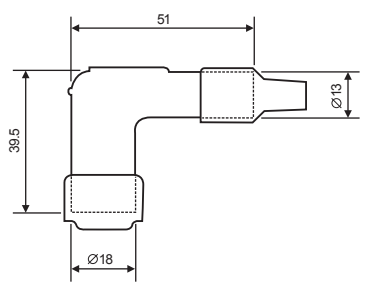


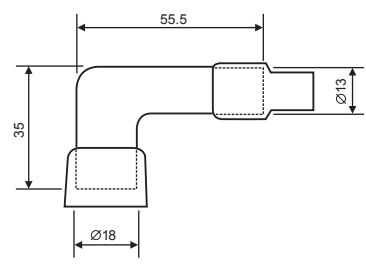

Adaptable plug terminal

E	For terminal nut or solid post terminal
F	For terminal stud or threaded terminal

Plug cap colour

-B	Blue
-G	Green
-R	Red
-Y	Yellow
None	Black



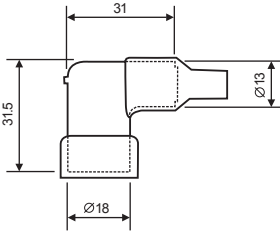



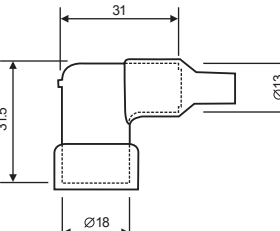




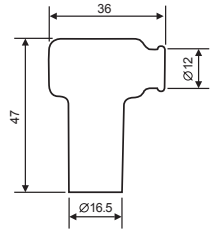


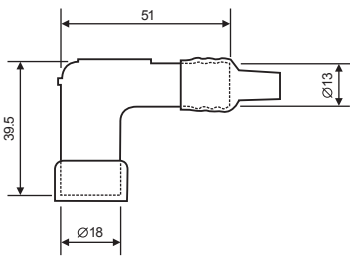



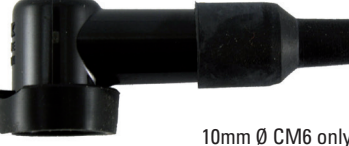
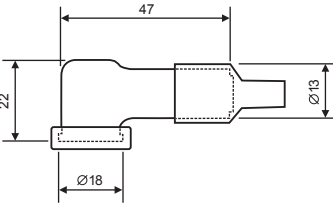


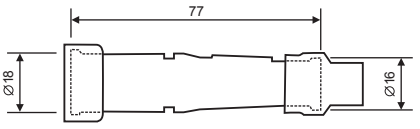





Please Note: Not all configurations are carried in Australia and New Zealand. Please check with your distributor.

Configuration (applicable plug thread dia. body material)	Unit: mm	Part Number	 (k Ω)	Terminal
 <p>LB Type: 14mm \emptyset thread LZ Type: 10, 12 & 14mm \emptyset thread Phenolic Resin</p>		LB-E	No Resistor	
		LBOE	05	
		LBOEP	05	
		LBOEZ	05	
 <p>10, 12 & 14mm \emptyset thread Phenolic Resin</p>		LBF	No Resistor	
		LBOF	01, 05, 10	
		LBOFP	05	
		LZOF	01, 05	

SPARK PLUG RESISTOR CAP RANGE





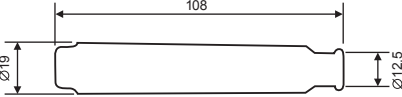


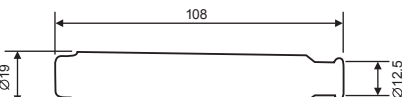


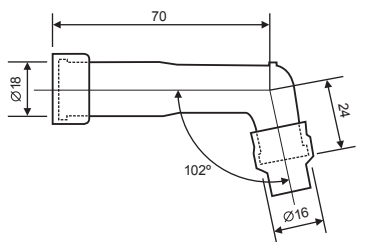


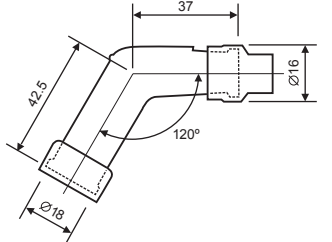




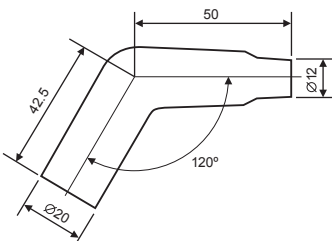


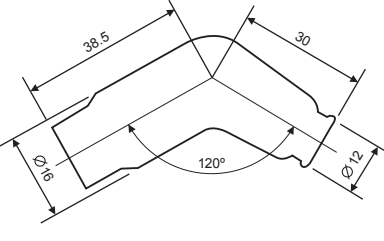



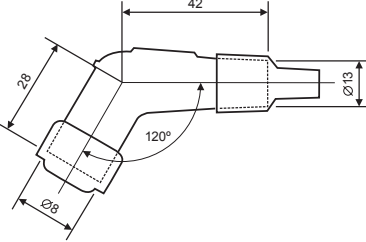

Note: Not all configurations are carried in Australia & New Zealand. Please check with your distributor.

Configuration (applicable plug thread dia. body material)	Unit: mm	Part Number	 (kΩ)	Terminal
 <p>10, 12 & 14mm Ø thread Phenolic Resin</p>		LZEH		
		LZFH	No Resistor	
 <p>LB Type: 14mm Ø thread LZ Type: 10, 12 & 14mm Ø thread Phenolic Resin</p>		LB \odot EH	01, 05, 10	
		LB \odot EHF	05	
		LD-FH	No Resistor	
 <p>14mm Ø thread Rubber Sheathed</p>		LB \odot EMH	05	
 <p>10 & 12mm Ø thread Phenolic Resin</p>		LD-F	No Resistor	
		LD \odot F	05, 10	
		LD \odot FP	05	
 <p>10mm Ø CM6 only Phenolic Resin</p>		LC \odot EFK	05	
 <p>SB Type: 14mm Ø thread SD Type: 10 & 12mm Ø thread SZ Type: 10, 12 & 14mm Ø thread Phenolic Resin</p>		SB \odot E	05	
		SB \odot F	05, 10	
		SD \odot F	01, 05, 10	
		SD \odot FP	05	
		SZ \odot F	05	



SPARK PLUG RESISTOR CAP RANGE





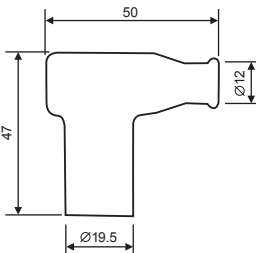


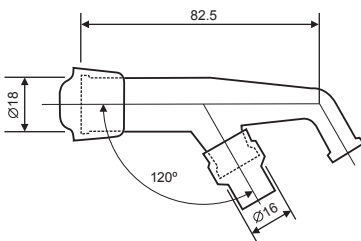


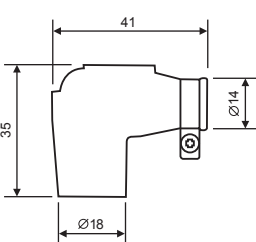


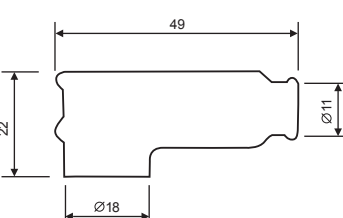

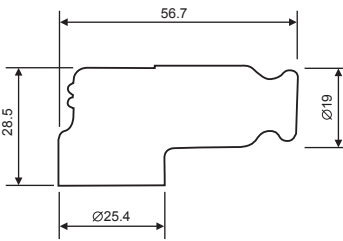
Note: Not all configurations are carried in Australia & New Zealand. Please check with your distributor.

Configuration (applicable plug thread dia. body material)	Unit: mm	Part Number	 (kΩ)	Terminal
 <p>10 & 12mm Ø thread Rubber Sheathed</p>		SD \odot FM	05	
 <p>10 & 12mm Ø thread Rubber Sheathed Length 600mm</p>		SD \odot FMC	05	
 <p>XB Type: 14mm Ø thread XD Type: 10 & 12mm Ø thread XZ Type: 10, 12 & 14mm Ø thread Phenolic Resin</p>		XB \odot F	05, 10	
		XD \odot F	05, 10	
		XZ \odot F	05	
 <p>VB Type: 14mm Ø thread VD Type: 10 & 12mm Ø thread Phenolic Resin</p>		VB \odot E	05	
		VB-F	No Resistor	
		VB \odot F	05	
		VD \odot F	05, 10	
 <p>10 & 12mm Ø thread Rubber Sheathed (Silicone)</p>		VD \odot FML	05	
 <p>10 & 12mm Ø thread Rubber sheathed</p>		VD05EMH	05	
		VD \odot FMH	05	
 <p>YB Type: 14mm Ø thread YD Type: 10 & 12mm Ø thread Phenolic Resin</p>		YB \odot F	05	
		YD \odot F	05	

SPARK PLUG RESISTOR CAP RANGE




Note: Not all configurations are carried in Australia & New Zealand. Please check with your distributor.

Configuration (applicable plug thread dia. body material)	Unit: mm	Part Number	 (kΩ)	Terminal
 <p>14 mm Ø thread Rubber Sheathed (Silicone)</p>		TB◉EM-B	05	
 <p>14 mm Ø thread Rubber Sheathed</p>		TB◉EMA	05	
 <p>14 mm Ø thread Polyester Resin</p>		VB◉EYK	05	
 <p>14 mm Ø thread Rubber Sheathed (Silicone)</p>		LBER-R	No Resistor	
 <p>14 mm Ø thread Rubber Sheathed (Silicone) For racing spark plug R6120◉ only</p>		TRS1225-B	05	
 <p>14 mm Ø thread Rubber Sheathed (Silicone) For racing spark plug R6120◉, R5300N◉ only</p>		TRS1408F-B	05	



SPARK PLUG RESISTOR CAP RANGE

Note: Not all configurations are carried in Australia & New Zealand. Please check with your distributor.

Configuration (applicable plug thread dia. body material)	Unit: mm	Part Number	 (kΩ)	Terminal
 <p>Phenolic Resin</p>		L05EA	05	
 <p>14mm Ø thread Rubber sheathed</p>		LB05EMH	05	
 <p>Phenolic Resin</p>		L - EH	No Resistor	
 <p>Rubber Sheathed</p>		TRS1233C	05	
 <p>10 & 12mm Ø thread Rubber Sheathed</p>		VD05EM	05	
 <p>10 & 12mm Ø thread Phenolic Resin</p>		VD05EG	05	

SPARK PLUG RESISTOR CAP RANGE



Note: Not all configurations are carried in Australia & New Zealand. Please check with your distributor.

C

Cable

R

Colour Red

1

	Cover configuration	Adaptable plug terminal	Cable length
1	Straight cover	For terminal stud	500mm
2	90° cover	For terminal stud	500mm
3	Straight cover	For integrated terminal	500mm
4	90° cover	For integrated terminal	500mm
5	90° cover	For terminal stud	1000mm
6	90° cover	For integrated terminal	1000mm

Configuration (applicable plug thread dia. body material)	Unit: mm	Part Number	 (kΩ)	Terminal
<p>10, 12 & 14 mm Ø thread Rubber Sheathed (Silicone)</p>		CR1	05	
<p>10, 12 & 14 mm Ø thread Rubber Sheathed (Silicone)</p>		CR2	05	
<p>Cable Splicer</p>		J-1	-	